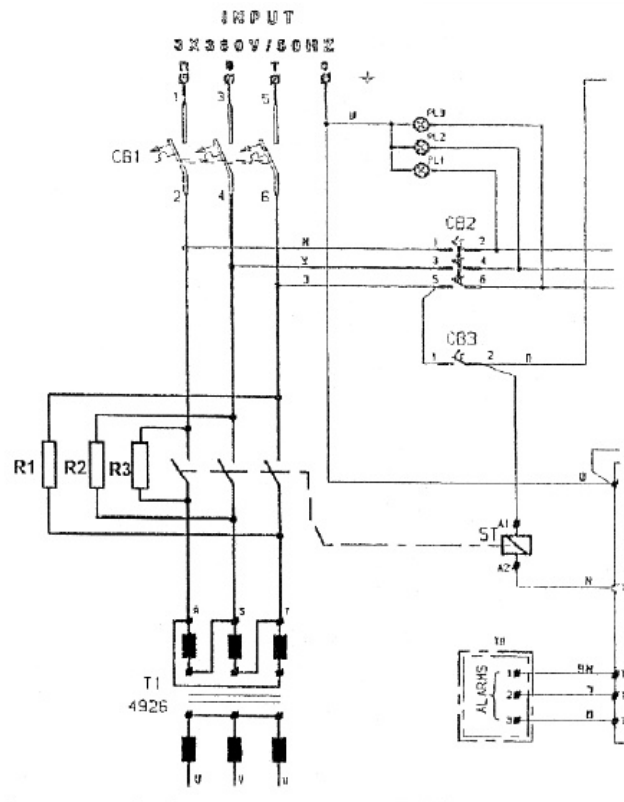


Inrush Current Limiter for Substation Battery Charger

Introduced a current limiter (resistors R1, R2, R3 in the circuit diagram) that limits the inrush current during the start up of high power battery chargers and prevents false tripping of the main circuit breaker.



- 1 - autoreclozer
- 2 - current limiter, incorporated in ELCO type charger